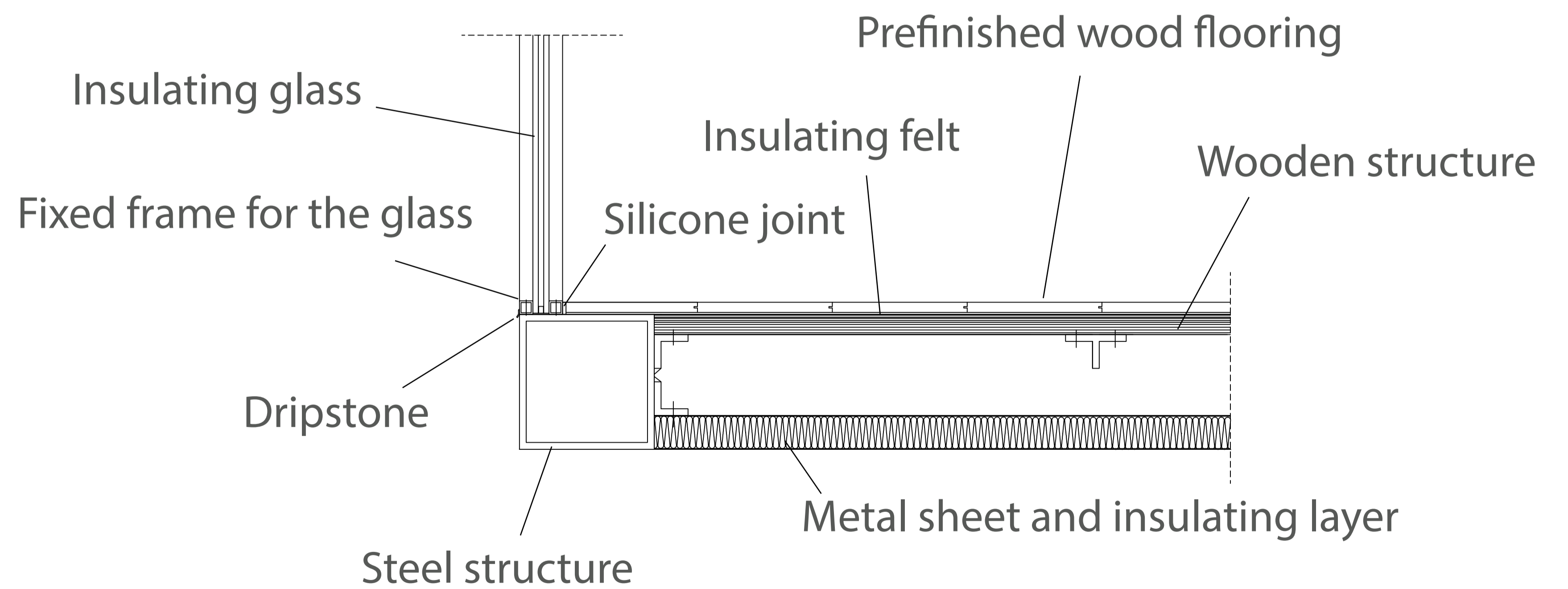


Exploded axonometric view out of scale



1:5  
Detailed section of the window and the floor