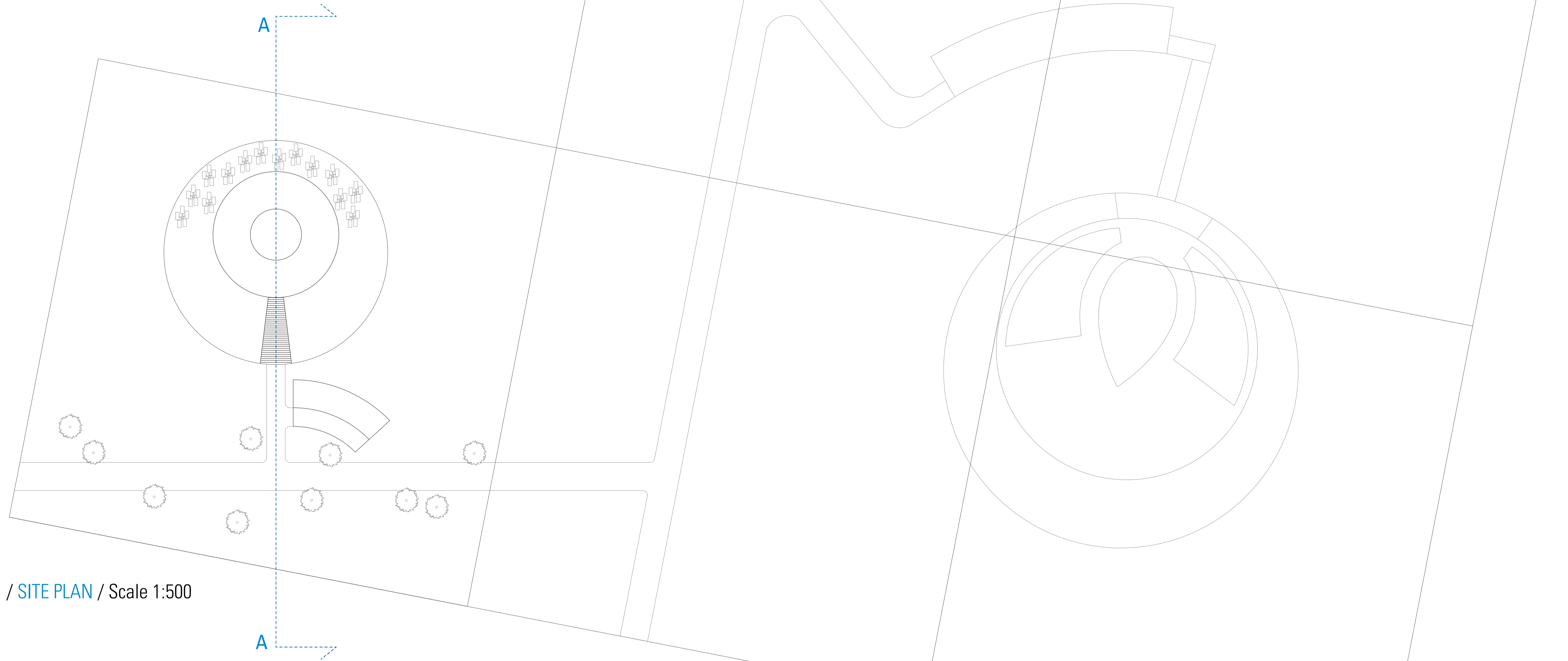
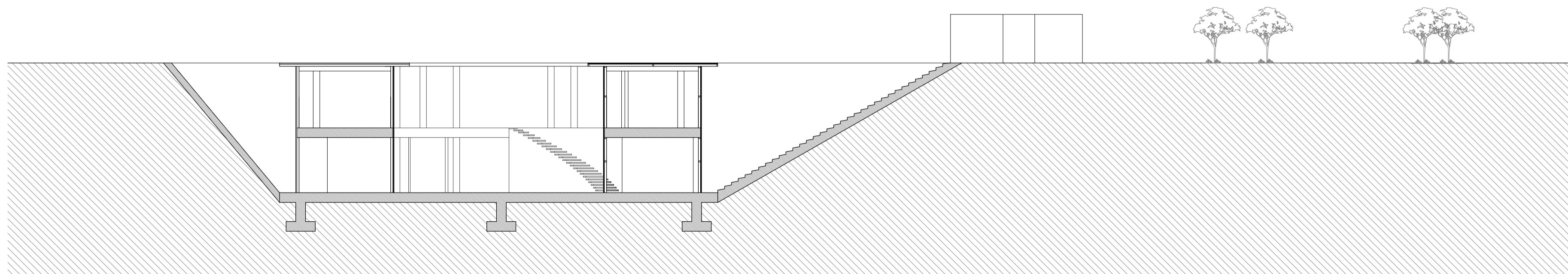


/ ZERO+ / ECO-HOUSE
/ FALL 2013 / XIV FLAVIA D'ERASMO /
CRITICS: SIMONE GIOSTRA / ROBERTO MANCINI /
TUTORS: VALERIO SIGNORELLI / ROY NASH
SITE PLAN AND SECTION



/ SITE PLAN / Scale 1:500

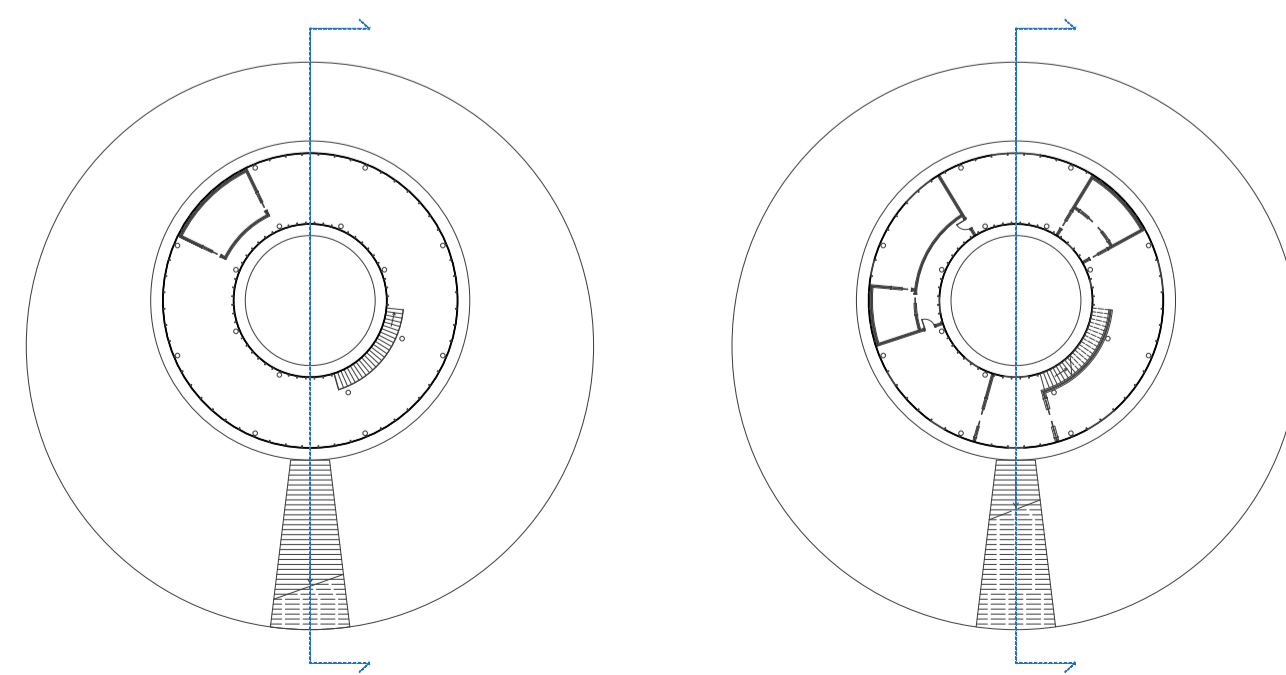
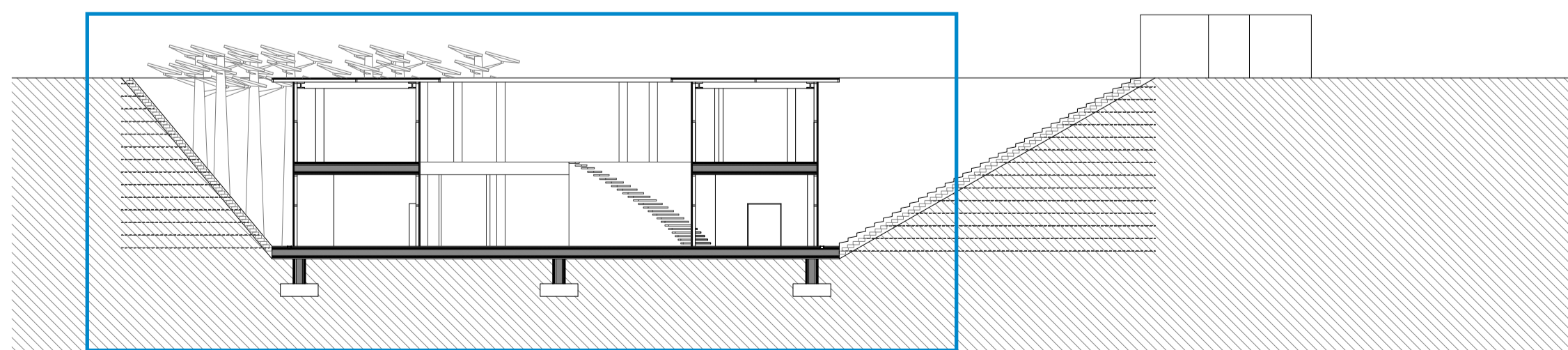
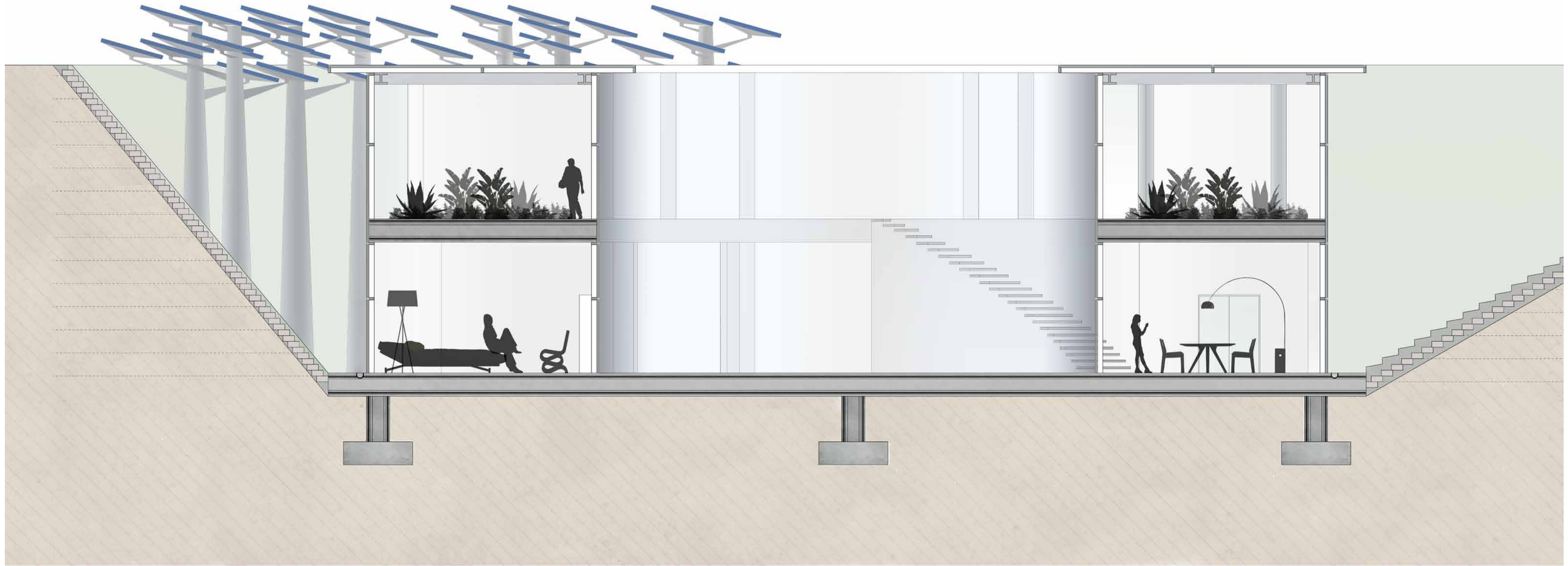


/ SECTION A-A / Scale 1:200

/ ZERO+ / ECO-HOUSE
/ FALL 2013 / XIV FLAVIA D'ERASMO /
CRITICS: SIMONE GIOSTRA / ROBERTO MANCINI /
TUTORS: VALERIO SIGNORELLI / ROY NASH

ENLARGED SECTION

Scale 1:50



/ KEY MAPS /

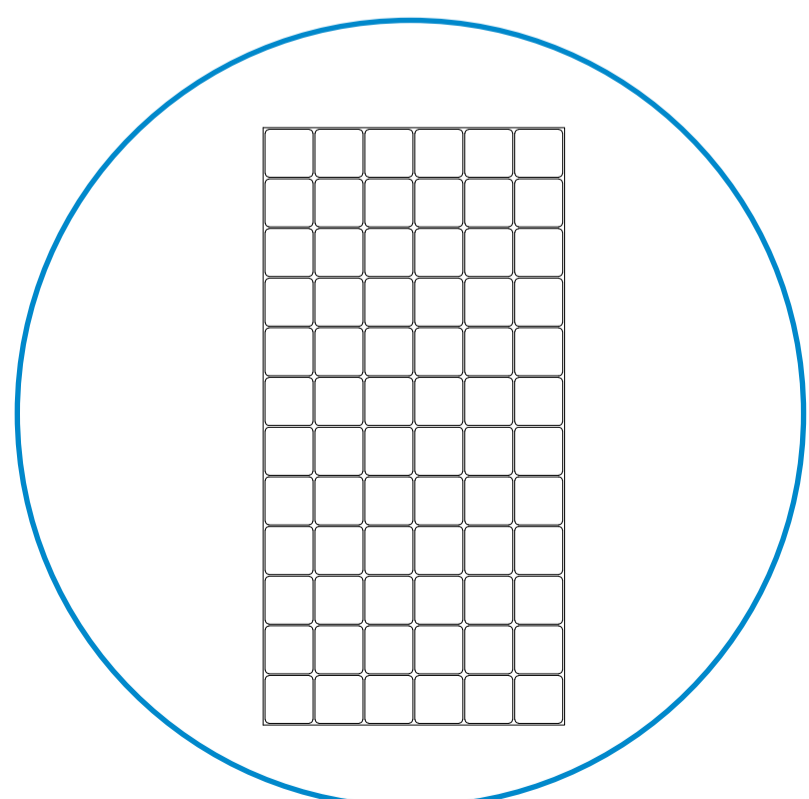
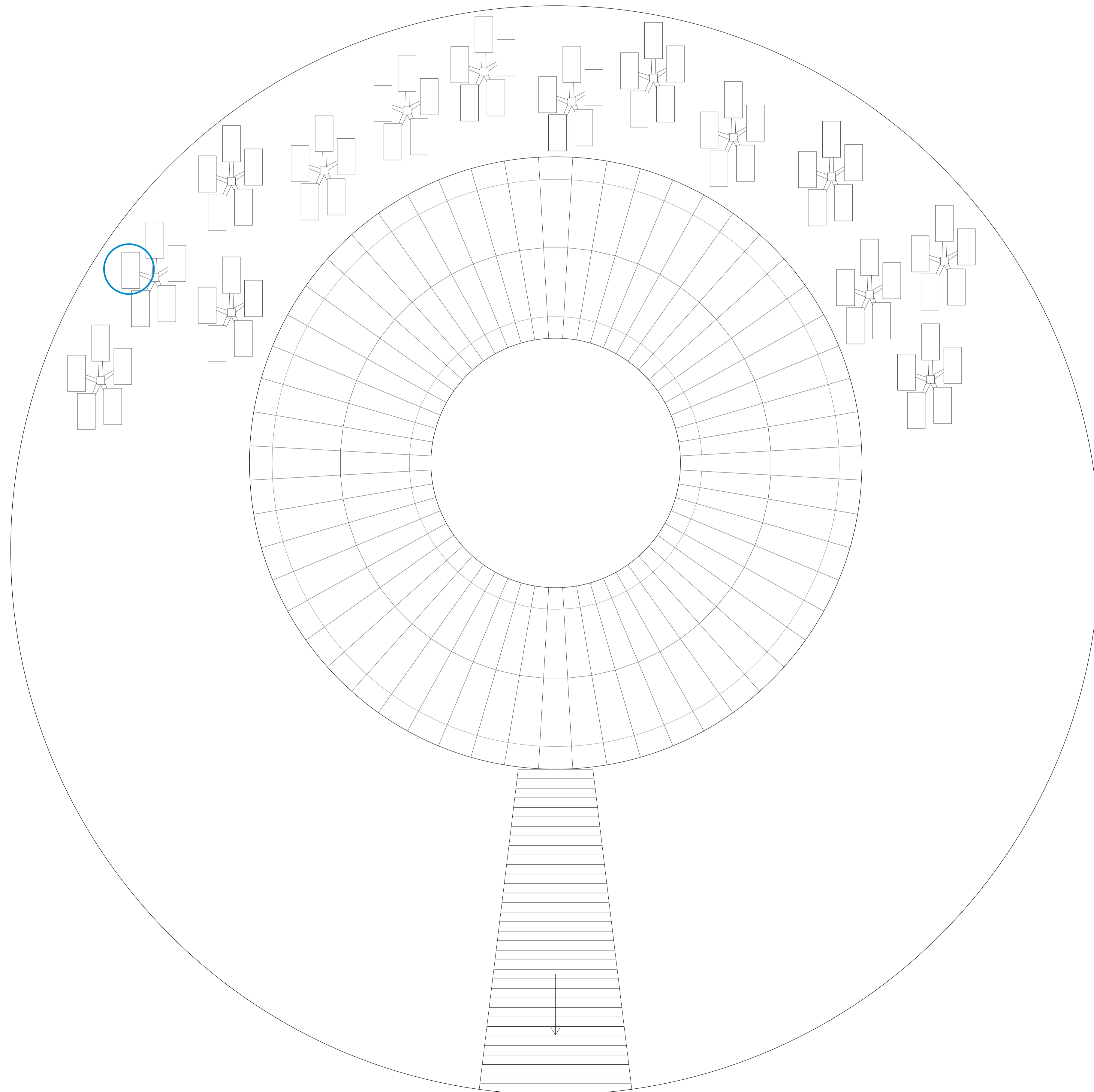
/ ZERO+ / ECO-HOUSE
/ FALL 2013 / XIV FLAVIA D'ERASMO /

CRITICS: SIMONE GIOSTRA / ROBERTO MANCINI /

TUTORS: VALERIO SIGNORELLI / ROY NASH

ROOF PLAN

Scale 1:100



/ PHOTOVOLTIC PANEL DETAIL / Scale 1:20

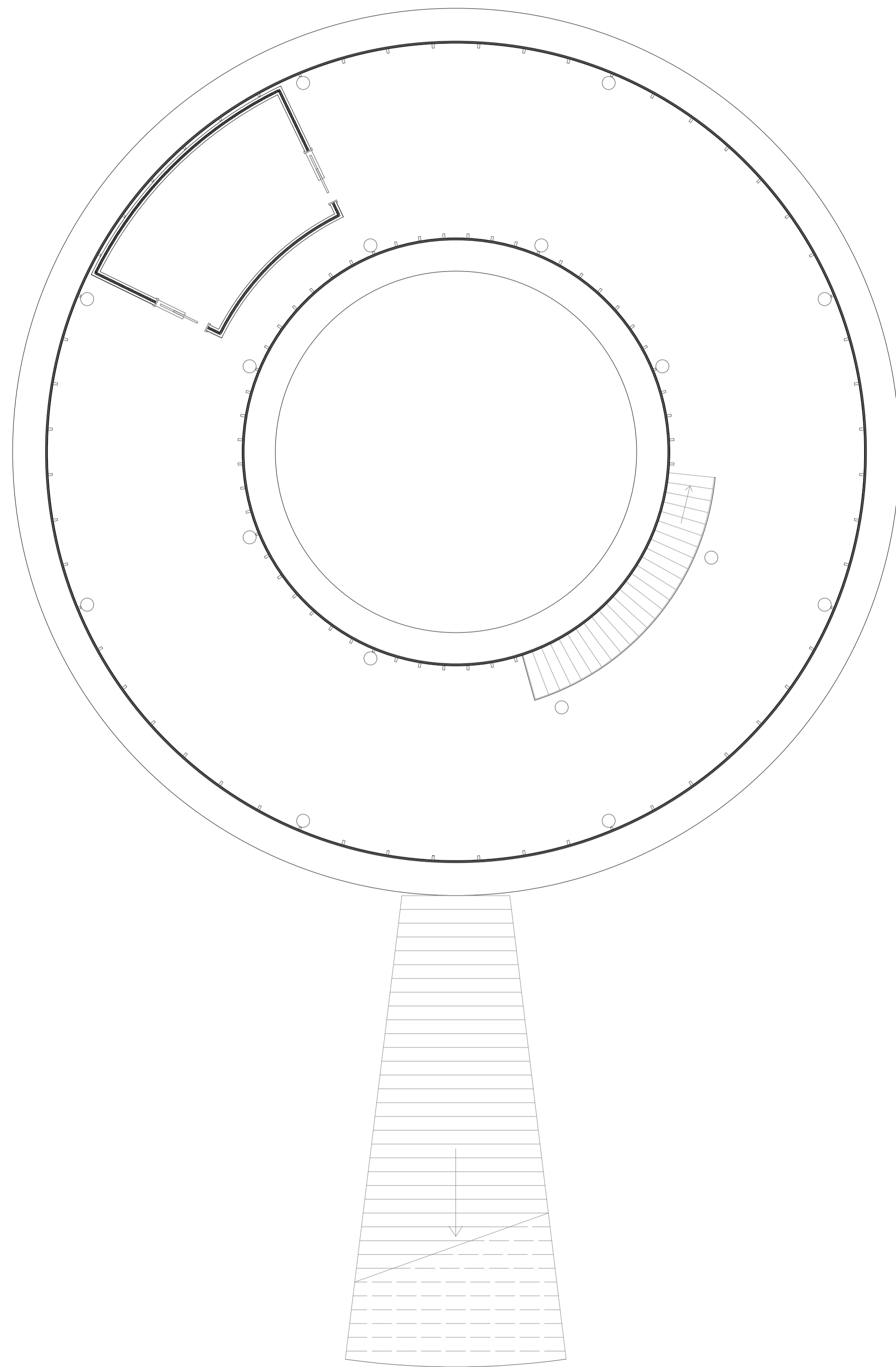
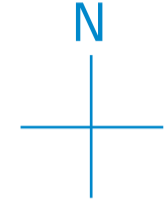
/ ZERO+ / ECO-HOUSE
/ FALL 2013 / XIV FLAVIA D'ERASMO /

CRITICS: SIMONE GIOSTRA / ROBERTO MANCINI /

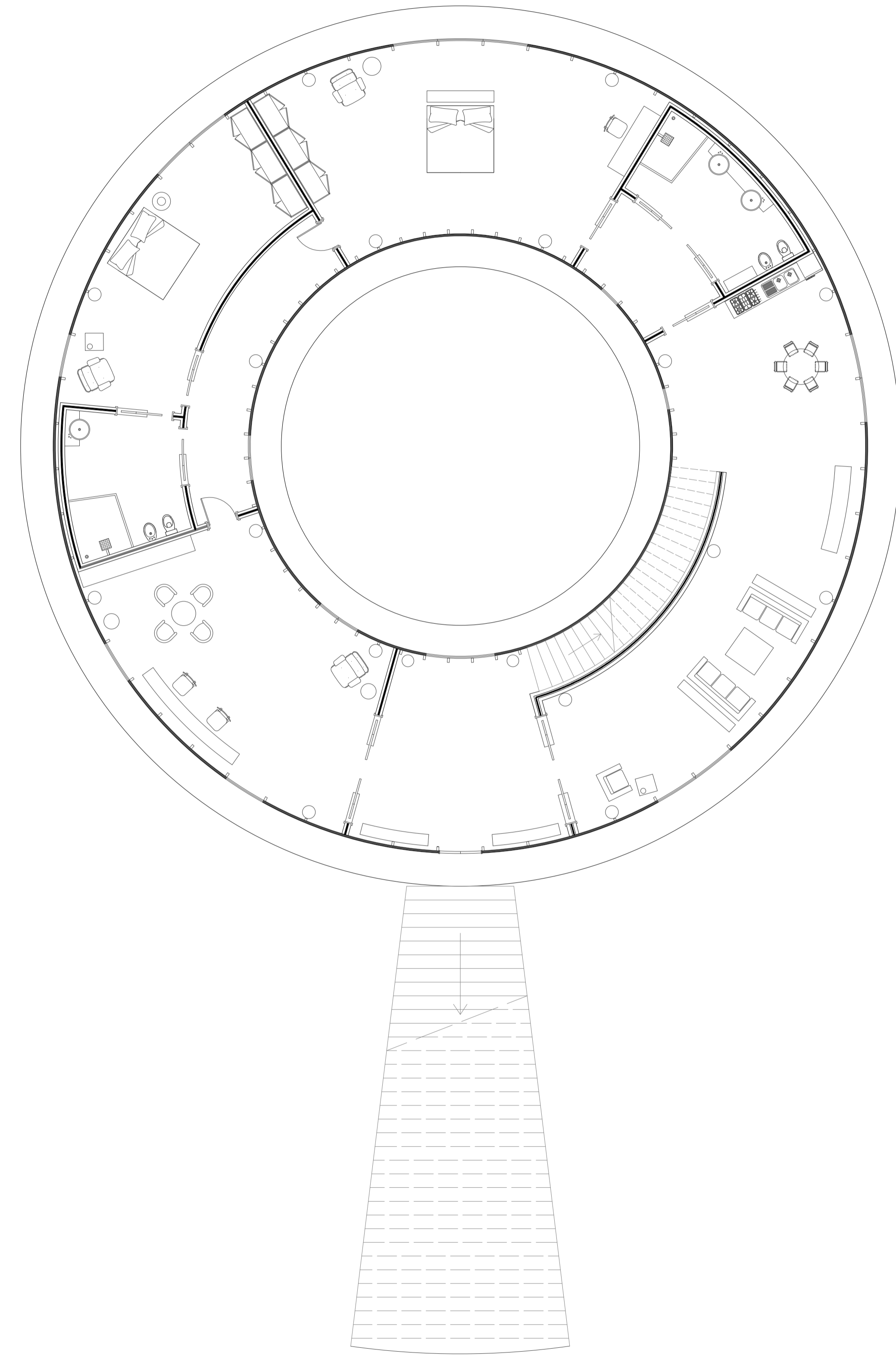
TUTORS: VALERIO SIGNORELLI / ROY NASH

PLANS

Scale 1:100



/ FLOOR -1 PLAN /



/ FLOOR -2 PLAN /

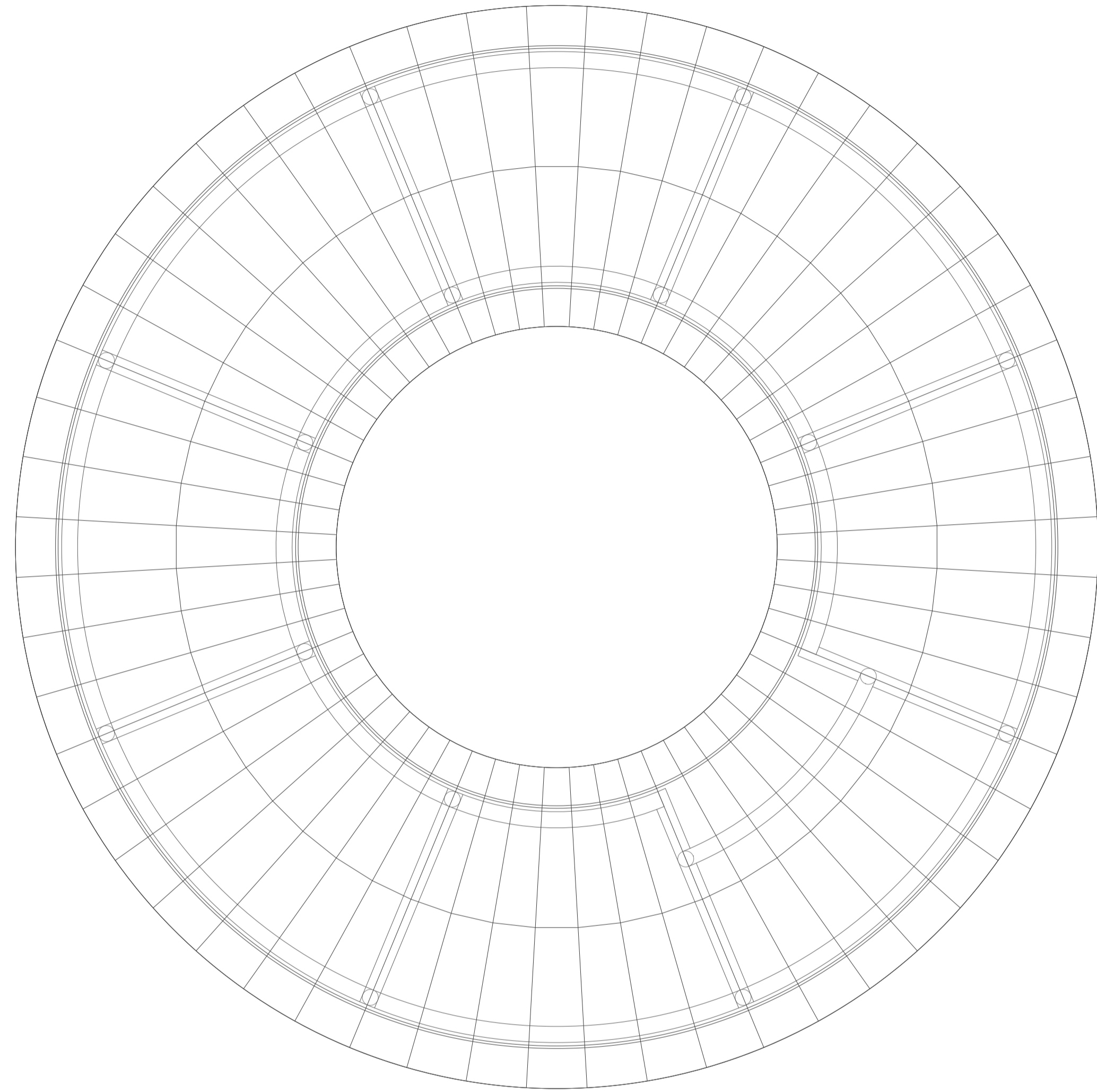
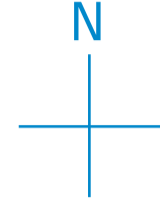
/ ZERO+ / ECO-HOUSE
/ FALL 2013 / XIV FLAVIA D'ERASMO /

CRITICS: SIMONE GIOSTRA / ROBERTO MANCINI /

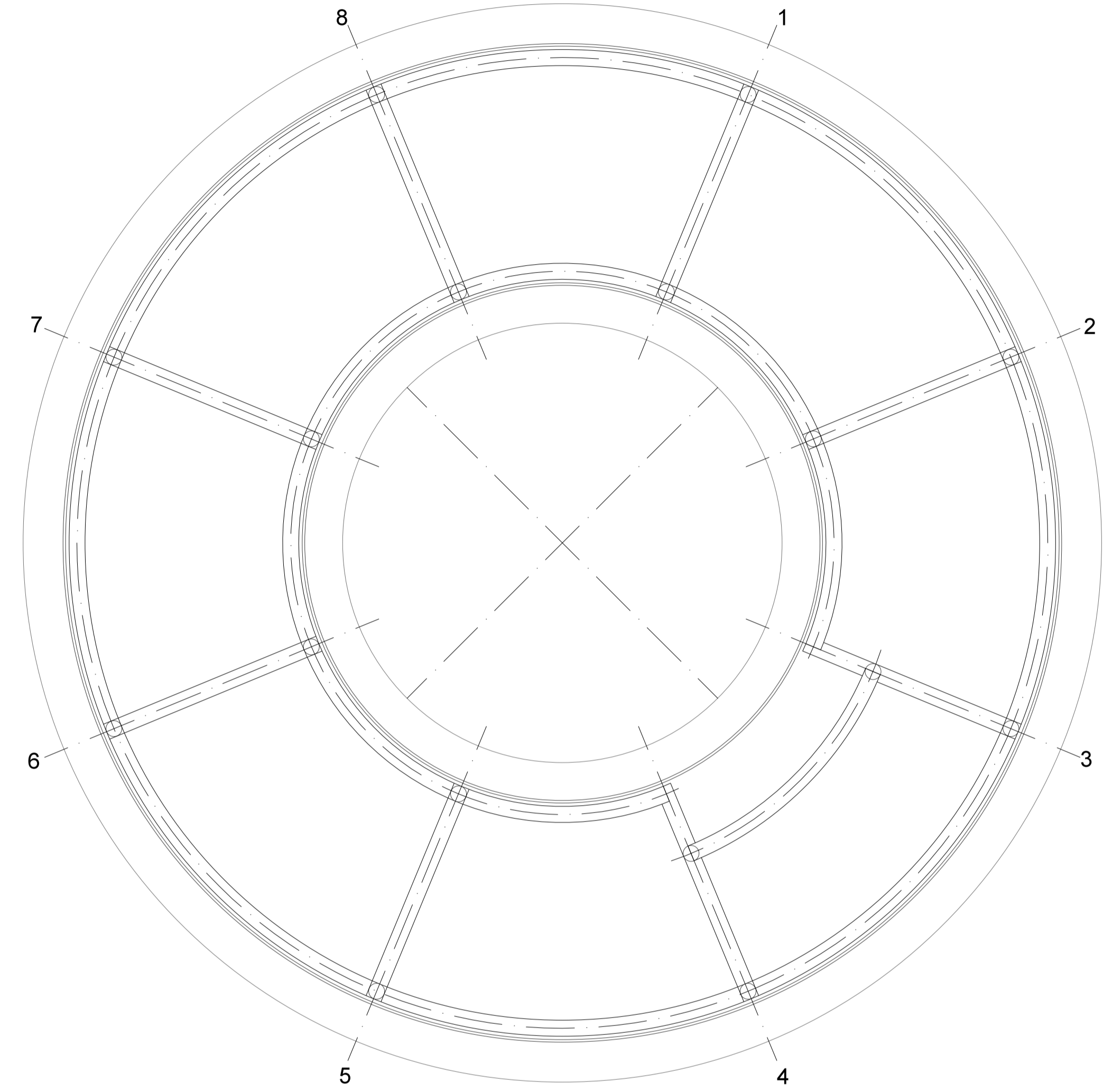
TUTORS: VALERIO SIGNORELLI / ROY NASH

STRUCTURAL ANALYSIS

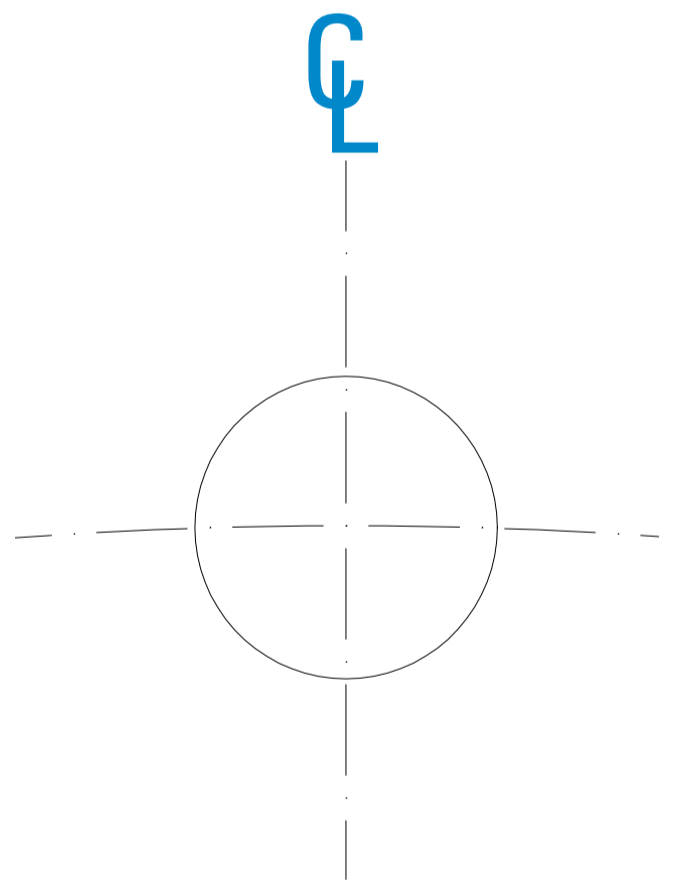
Scale 1:100



/ STRUCTURAL PLAN / Glass Panels SECONDARY
STRUCTURE and Beams PRIMARY STRUCTURE



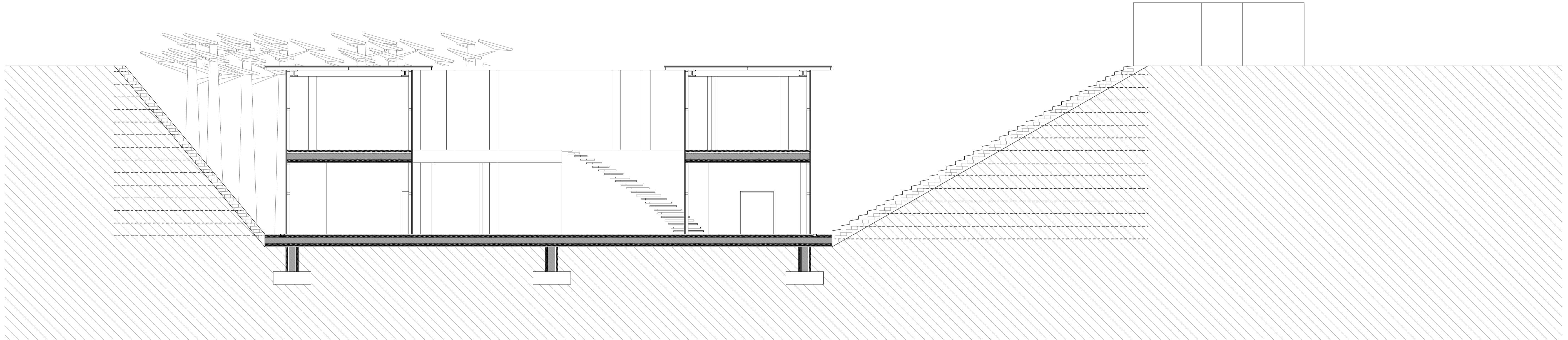
/ STRUCTURAL PLAN / Beams and
Columns PRIMARY STRUCTURE



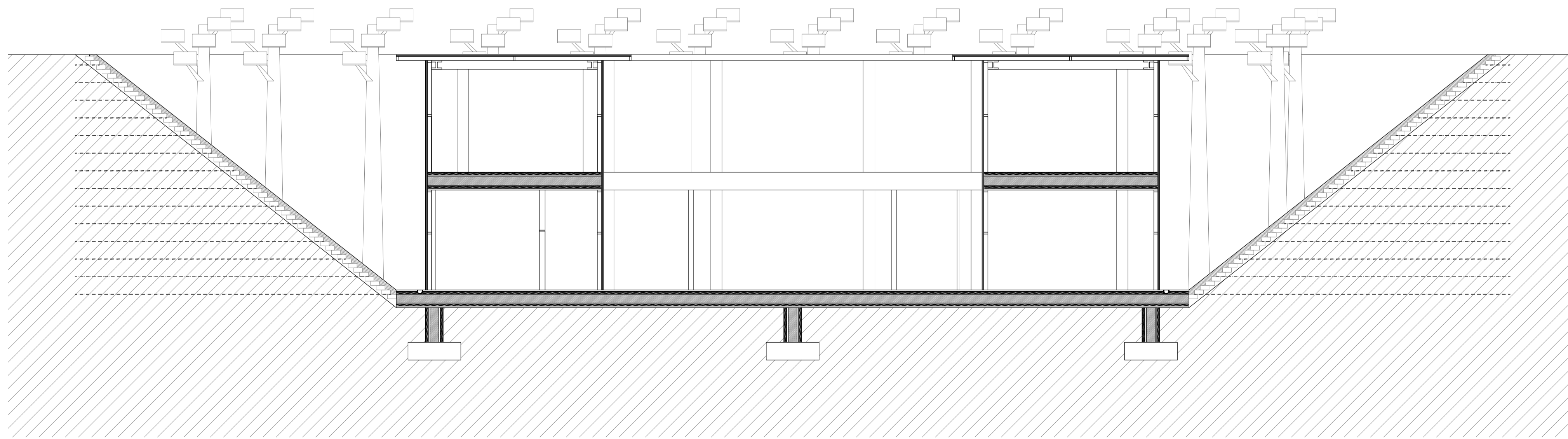
/ ZERO+ / ECO-HOUSE
/ FALL 2013 / XIV FLAVIA D'ERASMO /
CRITICS: SIMONE GIOSTRA / ROBERTO MANCINI /
TUTORS: VALERIO SIGNORELLI / ROY NASH

SECTIONS

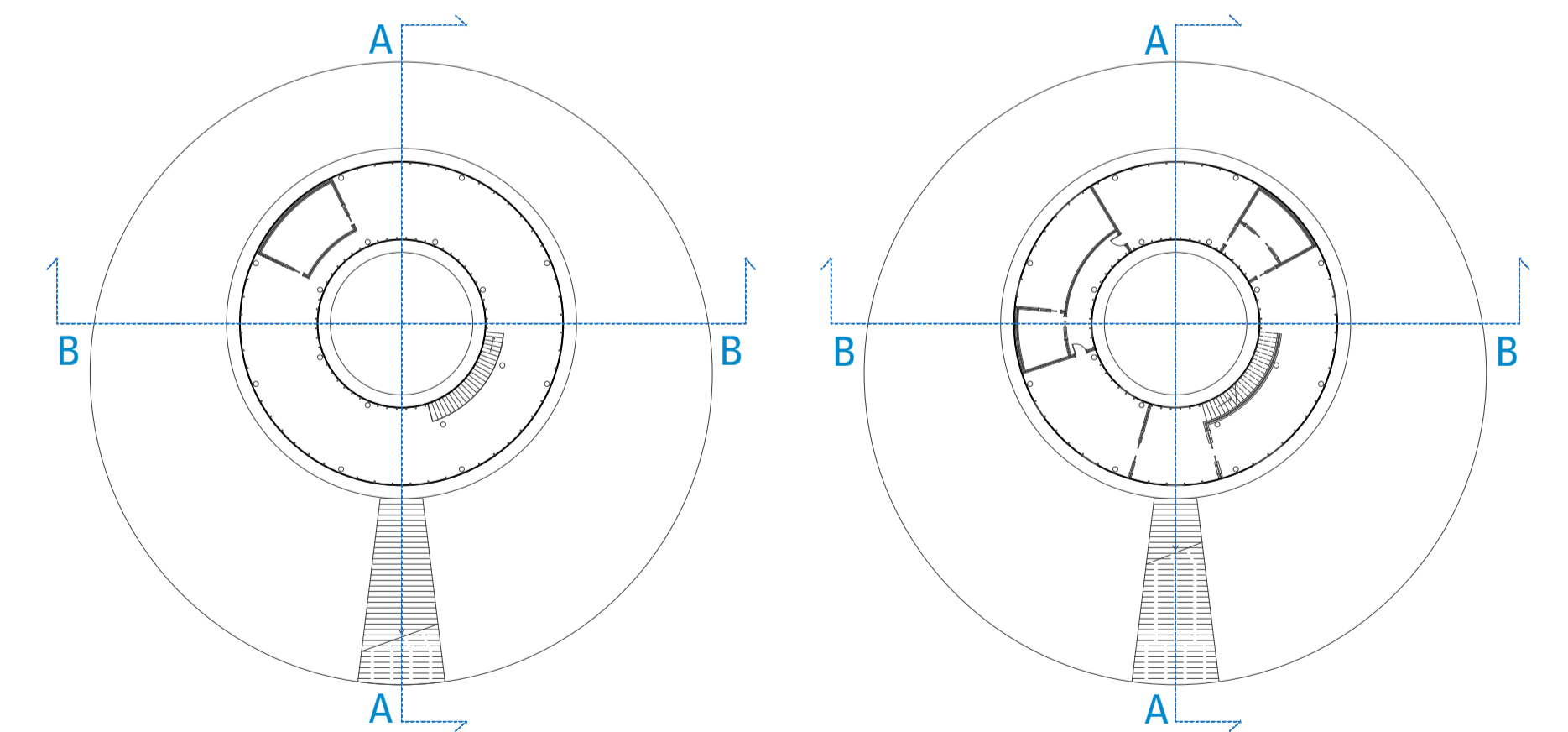
Scale 1:100



/ SECTION A-A /

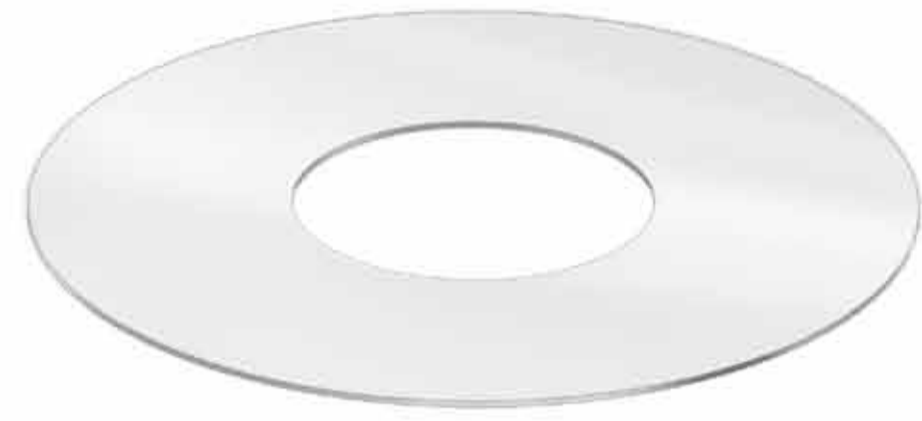


/ SECTION B-B /

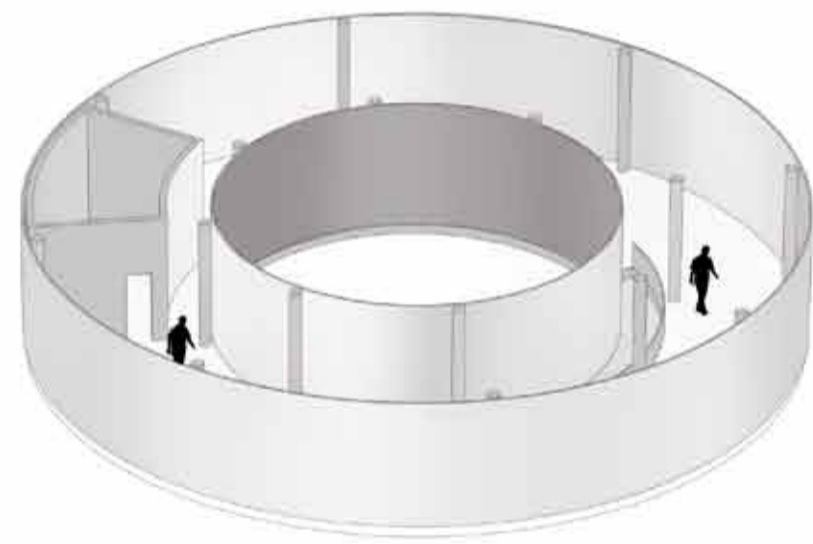


/ KEY MAPS /

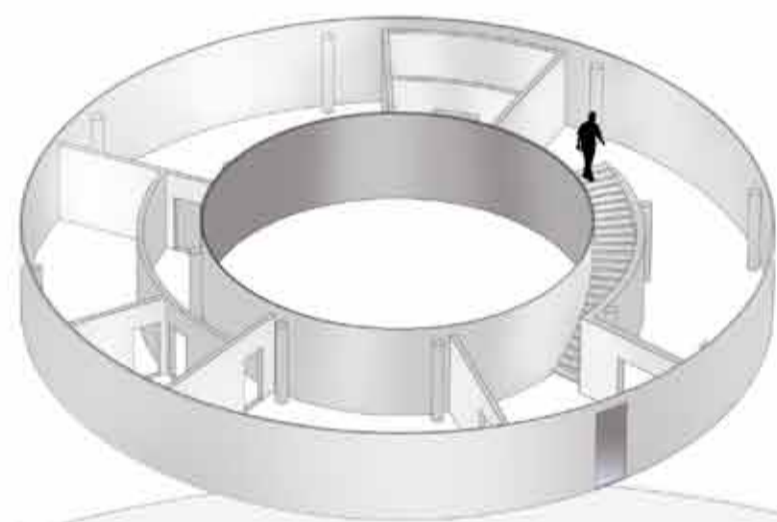
/ ZERO+ / ECO-HOUSE
 / FALL 2013 / XIV FLAVIA D'ERASMO /
 CRITICS: SIMONE GIOSTRA / ROBERTO MANCINI /
 TUTORS: VALERIO SIGNORELLI / ROY NASH
 RENDERS AND DIAGRAMS



/ ROOF /



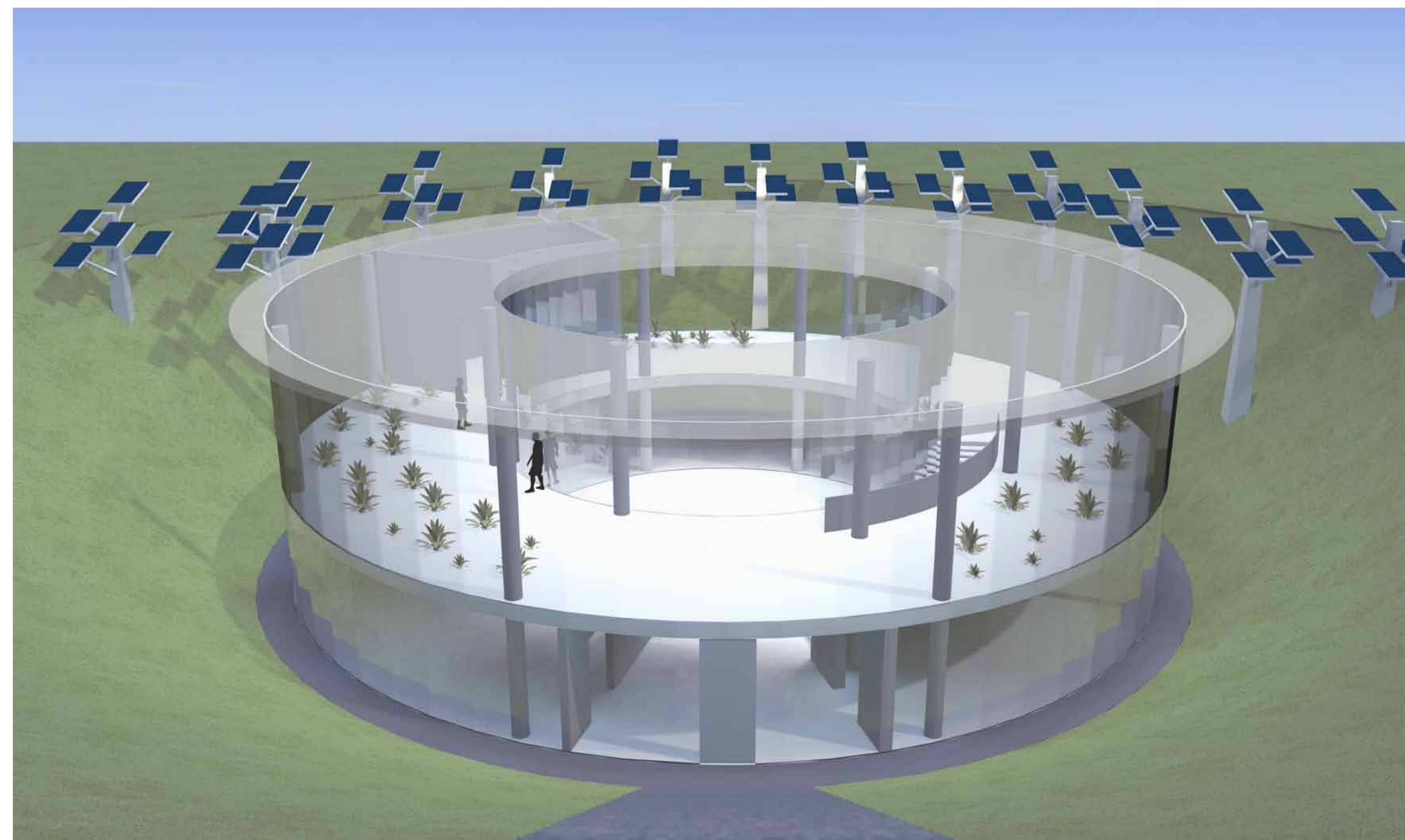
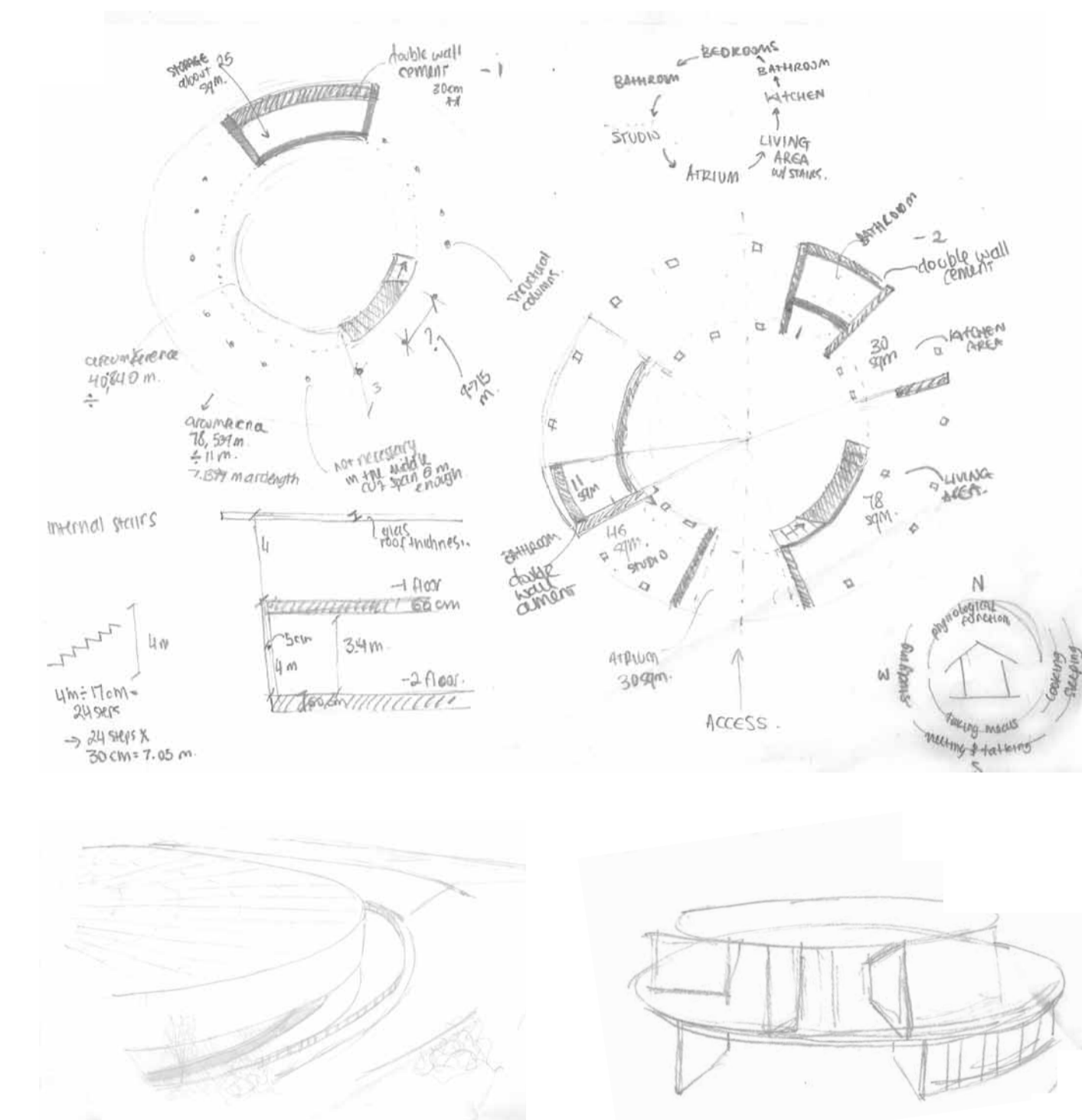
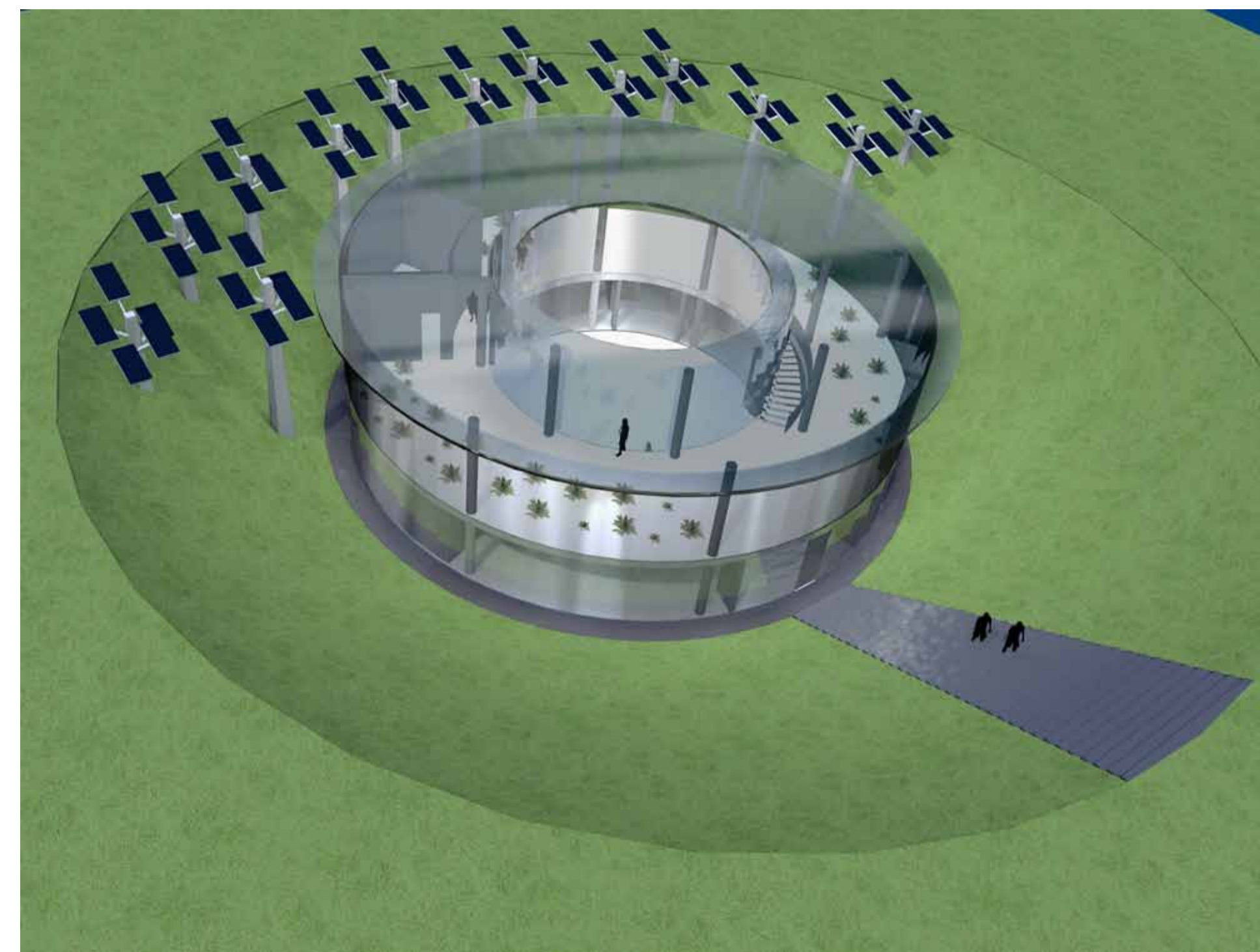
/ -1 FLOOR /
 Greenhouse and
 Storage



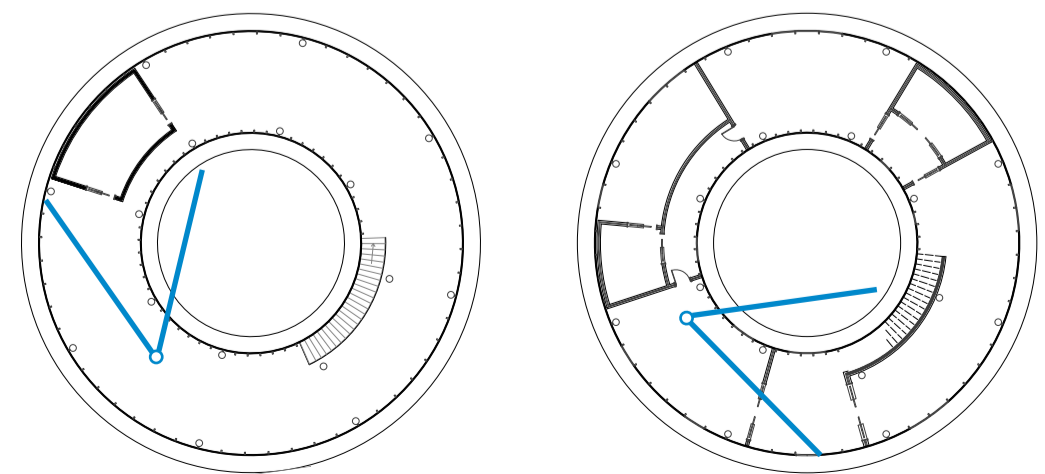
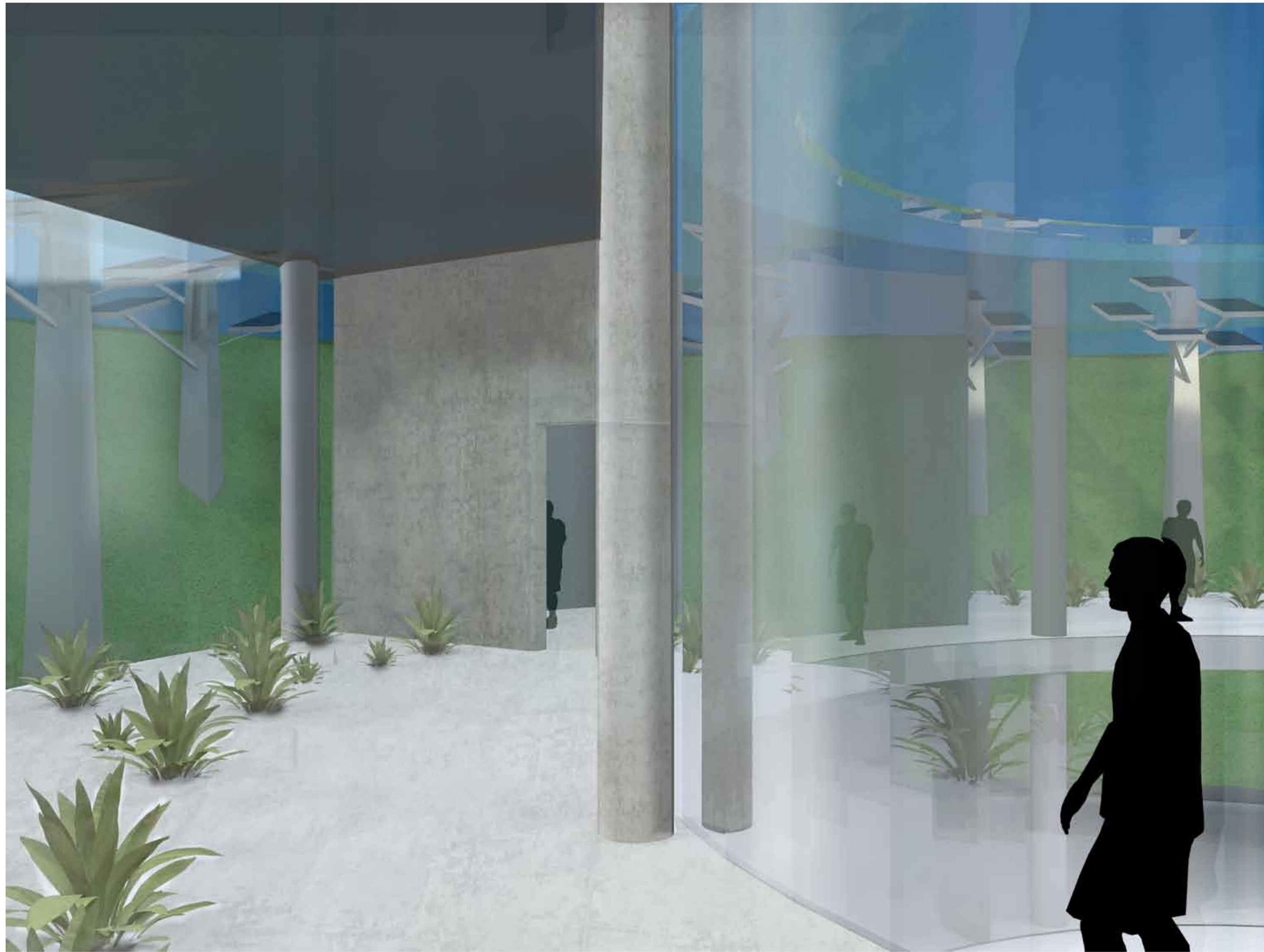
/ -2 FLOOR /
 Residential



/ GROUND LEVEL /
 Shadow Buffer
 and Access



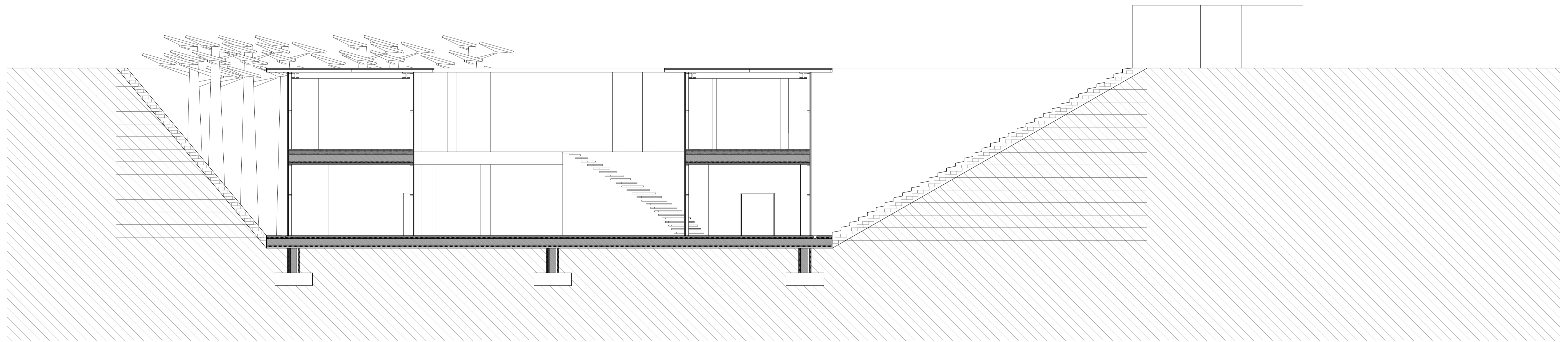
/ ZERO+ / ECO-HOUSE
/ FALL 2013 / XIV FLAVIA D'ERASMO /
CRITICS: SIMONE GIOSTRA / ROBERTO MANCINI /
TUTORS: VALERIO SIGNORELLI / ROY NASH
RENDERS AND DIAGRAMS



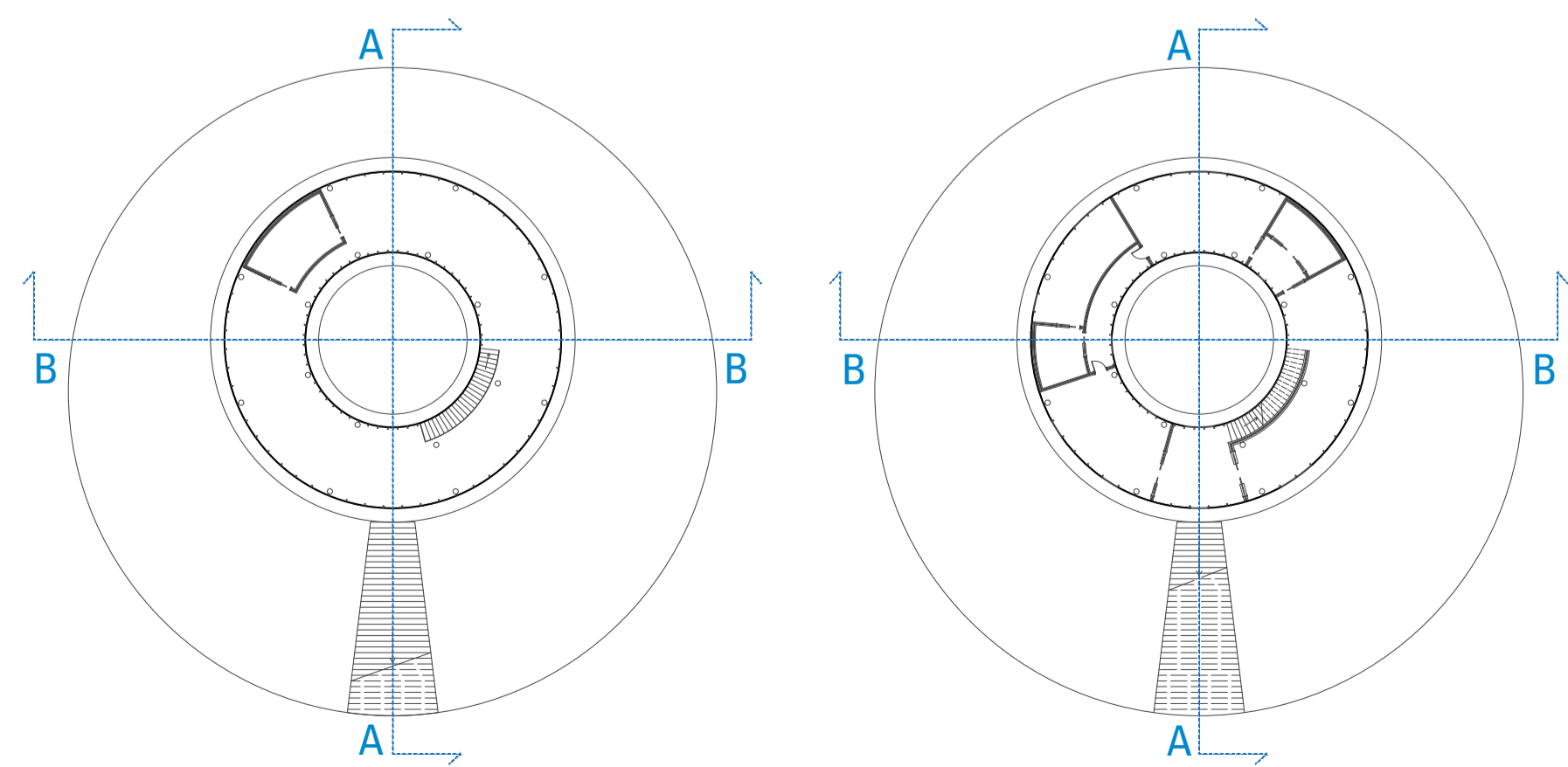
/ KEY MAPS /

/ ZERO+ / ECO-HOUSE
/ FALL 2013 / XIV FLAVIA D'ERASMO /
CRITICS: SIMONE GIOSTRA / ROBERTO MANCINI /
TUTORS: VALERIO SIGNORELLI / ROY NASH

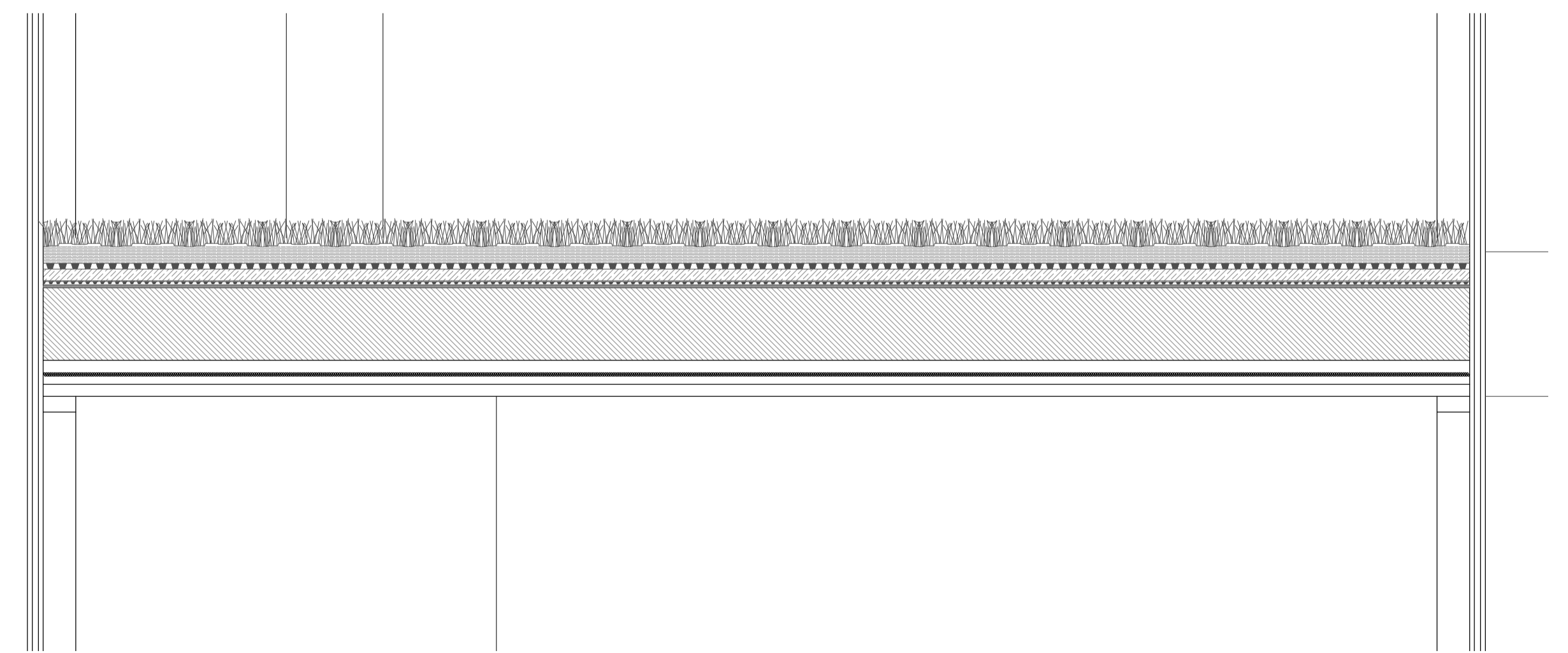
SECTION
Scale 1:100



/ SECTION B-B /



/ KEY MAPS /



/ DETAIL OF GREENHOUSE FLOOR /