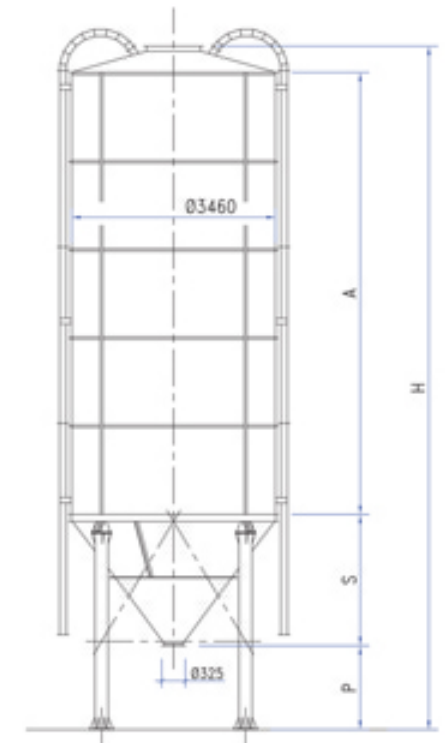
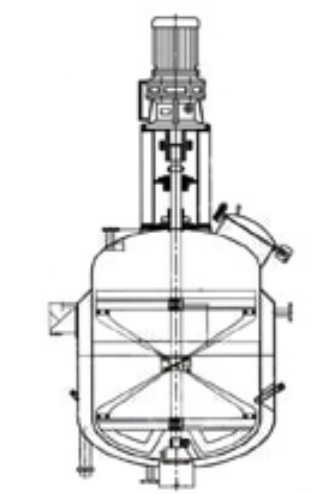


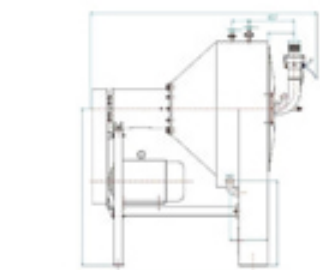
Ethanol Distill Equipment		
length	width	height
500	1060	1360



10T/D Maize Milling Machine		
length	width	height
6000	3000	4500

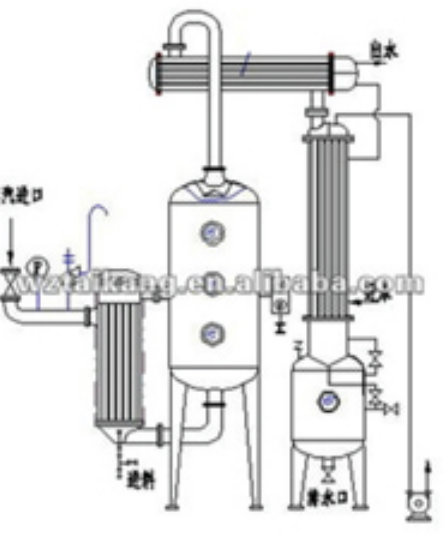


Ethanol Distill Equipment		
length	width	height
1200	1700	1650



PH Check - Boiler		
length	width	height
4200	900	2100

Ethanol Distill Equipment		
length	width	height
2200	800	7000



Dehydrator system		
length	width	height
1300	1300	800

Dehydrator system		
length	width	height
1300	1300	780

